



**IONTECH®**

**IT-DS  
EDI Modules**

**Operation  
&  
Maintenance  
Manual**

**IT-DS  
Sept 2015  
Revision 0**

**Manual Covers  
Part#:**

**IT- DS05-S  
IT- DS10-S  
IT- DS20-S  
IT- DS30-S  
IT- DS50-S**

<b>DISCLAIMER STATEMENT</b>	<b>4</b>
<b>PROPRIETARY RIGHTS STATEMENT</b>	<b>4</b>
<b>OPERATING MANUAL REVISION HISTORY</b>	<b>5</b>
<b>1 INTRODUCTION</b>	<b>6</b>
1.1 IT-DS Module Overview	6
1.2 Using this Manual	7
1.3 General Installation Precautions	7
1.4 Operating Precautions	9
1.5 Shutdown Precautions	9
<b>2 PRE-INSTALLATION PREPARATION &amp; REQUIREMENTS</b>	<b>9</b>
2.1 Tools and Equipment	9
2.2 Electrical and Plumbing Supplies	10
2.3 Inspect the Module	10
2.4 Operating Requirements	10
2.4.1 Operating Environment	10
2.4.2 Space Requirements	11
2.4.3 Electrical Requirements	11
2.4.4 Feed Water Requirements - RO Permeate	11
2.4.5 Drain Requirements	12
2.5 Flow Rates and Pressure Drops	12
<b>3 IT-DS MODULE INSTALLATION &amp; OPERATION</b>	<b>12</b>
3.1 Moving the IT-DS Module into Place	12
3.2 Checking Module Torque - First time operation	13
3.3 Connect Plumbing Fittings	15
3.4 Electrical	16
3.4.1 Electrical Precautions	16
3.4.2 Electrical Connections	16
3.4.3 Determine Operating DC Current Prior to Startup	16

<b>3.5</b>	<b>START-UP Procedure</b>	<b>18</b>
3.5.1	Start-up IT-DS module	18
<b>3.6</b>	<b>Recovery, Silica and Hardness</b>	<b>18</b>
<b>4</b>	<b>MAINTENANCE AND TROUBLESHOOTING</b>	<b>19</b>
<b>4.1</b>	<b>General Maintenance Guidelines</b>	<b>19</b>
4.1.1	Operating Data Log Sheets	19
4.1.2	Periodic Maintenance	20
<b>4.2</b>	<b>Specific Maintenance Guidelines</b>	<b>20</b>
4.2.1	Cleaning Circumstances	20
4.2.2	Sanitization Circumstances	20
4.2.3	Required Cleaning and Sanitizing Equipment	21
4.2.4	System Preparation for Cleaning or Sanitization	22
<b>4.3</b>	<b>Cleaning and Chemical Sanitization Procedures</b>	<b>23</b>
4.3.1	Cleaning with 2.0% Hydrochloric Acid (HCl)	24
4.3.2	Cleaning with 5% Brine/1% Caustic Solution	25
4.3.3	Cleaning or Sanitizing with Sodium Percarbonate	26
4.3.4	Cleaning or Sanitizing with Peracetic Acid	29
4.3.5	Cleaning and Sanitizing with Multiple Cleaning Agents	32
<b>4.4</b>	<b>Troubleshooting</b>	<b>33</b>
<b>5</b>	<b>SHUTDOWN AND STORAGE</b>	<b>40</b>
<b>5.1</b>	<b>System Shutdown</b>	<b>40</b>
<b>5.2</b>	<b>Startup after Shutdown</b>	<b>40</b>
	<b>APPENDIX A: IT-DS MODULE SPECIFICATIONS</b>	<b>41</b>
	<b>APPENDIX B: JUNCTION BOX ELECTRICAL CONNECTIONS IT-DS</b>	<b>42</b>
	<b>APPENDIX C : LAYOUT AND ELEVATION DRAWING IT-DS</b>	<b>43</b>

## **DISCLAIMER STATEMENT**

The operation and maintenance manual should provide complete and accurate information to meet your operating and/or service requirements based on the information available at the time of publication.

The information in this manual may not cover all operating details or variations or provide for all conditions in connection with installation, operation and maintenance. Should questions arise which are not answered specifically in this manual, contact your water system supplier.

IONTECH reserves the right to make engineering refinements that may not be reflected in these manuals. The material in these manuals is for informational purposes and is subject to change without notice.

## **PROPRIETARY RIGHTS STATEMENT**

This manual discloses information in which IONTECH has proprietary rights. Neither receipt nor possession of this manual confers or transfers any right to the client, and by its retention hereof, the client acknowledges that it will not reproduce or cause to be reproduced, in whole or in part, any such information except by written permission from IONTECH. The client shall have the right to use and disclose to its employees the information contained herein for the purpose of operating and maintaining the IONTECH equipment, and for no other purpose.

In the event the content of this manual is altered or section/items are omitted during a reproduction, in whole or in part, and instructions or definitions within the reproduction result in personal injury to those who follow the altered instructions, the burden of responsibility for personal injury falls solely on the party who affects the reproduction.

## **MANUAL USER'S GUIDE**

This manual describes the procedures necessary to install, operate, and maintain your IONTECH Continuous Electrodeionization modules. Please read this manual carefully before installing and operating your modules. The module warranty may be voided if installation or operation instructions are not followed correctly.

Notes, Warnings, Cautions are used to attract attention to essential or critical information in a manual. Warnings and Cautions will appear before the text associated with them, and notes can appear either before or after associated text.

**NOTE:** *Notes are used to add information, state exceptions, and point out areas that may be of greater interest or importance.*

**Cautions indicate a situation that may cause damage or destruction of equipment or may pose a long term health hazard.**

**Warnings indicate condition, practices, or procedures which must be observed to avoid personal injury or fatalities.**

**OPERATING MANUAL REVISION HISTORY**

<b><u>EVENT</u></b>	<b><u>DATE</u></b>	<b><u>DESCRIPTION</u></b>
Original publication	September 2010	Operation & Maintenance Manual

## 1 Introduction

This section contains the following instructions:

- **IT-DS module overview** - Brief introduction to components and models
- **Using this Manual** - How to use this Manual
- **Precautions** - Precautions to prevent personal injury or equipment damage during installation

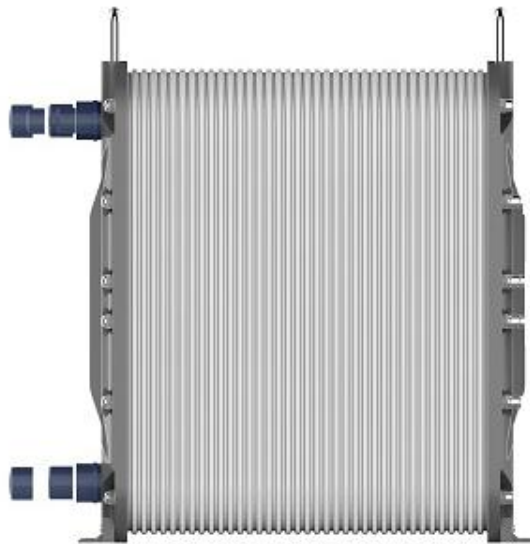
### 1.1 IT-DS Module Overview

IT-DS Modules are designed to be installed in either single module or multiple module Continuous Deionization IT-DS systems. Their compact state-of-the-art design assures ease of installation, maintenance, and service. The module sizes are designed in optimal flow configurations stated below to ensure cost effective water system integration.

**Table 1-1:** Model numbers and nominal flow rates.

Moduel Number	Nominal Flow	Description
IT- DS05-S	2 gpm [0.44 m <sup>3</sup> /hr]	Single IT-DS Type – 4 Cell
IT- DS10-S	5 gpm [1.1 m <sup>3</sup> /hr]	Single IT-DS Type – 10 Cell
IT- DS20-S	9 gpm [2.0 m <sup>3</sup> /hr]	Single IT-DS Type – 18 Cell
IT- DS30-S	15 gpm [3.3 m <sup>3</sup> /hr]	Single IT-DS Type – 30 Cell
IT- DS50-S	22.5 gpm [5.1 m <sup>3</sup> /hr]	Single IT-DS Type – 45 Cell

For more information on the IT-DS module specifications and flow rates, see Appendix A of this Manual.



**Figure 1-1** Side View IT-DS Module



Figure 1-2 Angle View IT-DS module

## 1.2 Using this Manual



Service technicians should review this manual prior to going to the site. It lists tools and materials needed to install the modules. It also outlines the site information required to prepare for installation.

**NOTE: The warranty may be void if installation or operation instructions contained in this manual are not followed exactly.**

This Manual describes the installation, operation, and routine maintenance of the IT-DS Series EDI modules. It also contains information on basic troubleshooting Section 4.4.

IONTECH strongly recommends all users read the entire contents of the manual. If the IT-DS Series module is not operating properly after going through the basic troubleshooting exercises, contact your local service provider.

## 1.3 General Installation Precautions



CHECKING MODULE TORQUE

IF THE NUTS ON THE THREADED TIE BARS HAVE LOOSENED

DURING SHIPMENT, THE PRESSURE FROM THE INCOMING WATER CAN CAUSE PERMANENT DAMAGE. SEE SECTION 3.2

BOLT TORQUE MUST BE CHECKED AND THE MODULE TIGHTENED AS REQUIRED BEFORE FLOWING WATER INTO THE MODULE. REFERRING TO FIGURE 3-1 AND TABLE 3-1, TIGHTEN AS REQUIRED. NOT ALL MODULES WILL NEED TIGHTENING.

OPERATIONAL LOG SHEETS ARE NECESSARY TO ENSURE CONSISTENT OPERATION, DETERMINE CLEANING REGIMENS, TROUBLESHOOTING AND AS A REQUIREMENT FOR MODULE WARRANTY.



DO NOT OPEN THE IT-DS MODULE. OPENING THE MODULE WILL VOID THE WARRANTY AND DO IRREVERSIBLE DAMAGE

THE MODULE MUST BE OPERATED INSIDE ITS DESIGN SPECIFICATIONS FOR TEMPERATURE AND HUMIDITY. SEE SECTION 2.4.1

**IMPORTANT - PIPE SECTIONS PREPARED FOR INSTALLATION MUST BE INSPECTED, AND BE FREE OF DEBRIS FROM STORAGE OR CUTTING TOOL PARTICLES. THE FEED WATER SYSTEM SHOULD BE THOROUGHLY RINSED TO ENSURE THAT PARTICULATES AND CONSTRUCTION DEBRIS ARE REMOVED FROM THE FEED WATER SYSTEM**

IT-DS MODULES HAVE NARROW FLOW DISTRIBUTION CHANNELS THAT CAN BECOME PLUGGED BY PARTICLES CAUSING PERMANENT DAMAGE. ALWAYS INSTALL PRESSURE GAUGES, SAMPLING PORTS, SENSORS, ETC. IN TEE FITTINGS. DO NOT DRILL OR TAP INTO PIPING. AFTER INSTALLING GAUGES, SAMPLING PORTS, SENSORS, ETC., ALWAYS FLUSH OUT THE PIPING BEFORE CONNECTING TO THE IT-DS MODULE TO REMOVE ANY DEBRIS.



DURING OPERATION, THE ELECTRODE WIRING INSIDE THE MODULE JUNCTION BOXES ARE AT HIGH VOLTAGE AND PRESENT A SHOCK HAZARD.

BEFORE TOUCHING THE INSIDE OF THE JUNCTION BOX, CONFIRM THAT AC POWER HAS FIRST BEEN DISCONNECTED AND LOCKED OUT ACCORDING TO STANDARD LOCKOUT/TAGOUT PROCEDURES.

TO ELIMINATE THE POSSIBILITY OF ELECTRIC SHOCK, CONFIRM THAT ALL GROUND WIRES ARE PROPERLY CONNECTED.

THOROUGHLY READ ALL THE INFORMATION IN THIS MANUAL BEFORE OPERATING THE IT-DS MODULE.

- Keep the top of the unit clear of tools, nuts, screws, etc. to prevent these items from damaging the unit.



- Installation of the IT-DS module must be completed in accordance with the procedures outlined in this manual. If deviations from the prescribed procedures are deemed necessary to achieve the desired performance, consult your local Service Provider.

## 1.4 Operating Precautions



DO NOT APPLY POWER TO THE IT-DS MODULE UNTIL PROPER FLOW AND PRESSURE HAVE FIRST BEEN CHECKED AND VERIFIED. Irreparable damage may result.

NEVER BLOCK OFF (DEAD-HEAD) ANY OF THE IT-DS OUTLETS. Dead-heading the outlets can result in over-pressurization, leading to permanent damage.



Do not operate the module under conditions other than those stated in the module manual. The prescribed feed water and electrical requirements, and flow configurations, must be followed at all times. If the feed water quality or the product water requirements change, contact the IONTECH Technical Support department for assistance.

### Once every six months:

- Make sure all wiring connections are tight
- Test safety interlocks such as flow switches or connections to upstream equipment

## 1.5 Shutdown Precautions

- Confirm that the pressure in the unit is relieved until all pressures inside the unit are atmospheric. (i.e., all pressure gauges should read zero).
- Drain standing water and plug all inlets and outlets to ensure that module internals can not dry out.

# 2 Pre-Installation Preparation & Requirements

This section contains the following pre-installation information:

- Tools and equipment - Tools and equipment needed to install the module
- Module Inspection - Inspecting the IT-DS module for damage
- Operating conditions - Temperature range, space requirements, electrical connections, feed water specifications, plumbing and drain requirements

## 2.1 Tools and Equipment

- Dolly or fork lift for moving module into place
- Cords, cables or straps to secure to dolly or fork lift
- Wire cutters/strippers
- Adjustable torque wrench with 10-50 ft-lbs. (14-68 N-m) range, 3/8" (10 mm) drive
- 19 mm extra deep socket (IONTECH part number IP-IT-DSSOCKET)
- 19 mm open end wrench

# IONTECH<sup>®</sup> IT-DS EDI Modules

- Screwdrivers (flat blade and Phillips head)
- IT-DS module handles for moving & positioning unit (IONTECH part number IT-DSHANDLES)

## 2.2 Electrical and Plumbing Supplies

The amounts, sizes, and types of these supplies will vary from site to site. Check before hand to determine the site needs.

- Conduit, wires and appropriate conduit connectors to run the DC power and ground from the DC power controller to the module. Size wire in accordance with local electrical code.
- Fittings to connect the 1 1/4" and 3/4" BSPM ports on the module to the module plumbing.



**Grounding Module Piping** - To avoid the risk of electrical shock, some form of grounding must be used on any stream where the plumbing is stainless steel or if there are samples points or instrumentation in close proximity to the module. For sanitary applications, a grounding cap can be used, IONTECH part number 49/S4501-124, which is actually a 3/4" TC cap with a welded stud to be wired to ground. For non-sanitary applications, a 1/4" SS threaded grounding rod can be used, IONTECH part number ZIVC00160 see Figure 2-1.



Figure 2-1 Grounding Rod

## 2.3 Inspect the Module

Do not uncrate the module prior to moving it into its final location. After uncrating it, inspect it for any possible signs of damage. If damage is apparent, immediately notify your Local Service Provider and the carrier.

## 2.4 Operating Requirements

In order to operate to specification, IT-DS modules must have the following conditions present. If any of these conditions are unmet, do not attempt to install IT-DS modules without specific instructions from your Local Service Provider Technical Support.

### 2.4.1 Operating Environment

- IT-DS modules require indoor installation out of direct sunlight. The maximum ambient room temperature should not exceed 113 °F (45° C). The module can tolerate humidity of up to 90%, as long as condensation does not occur.

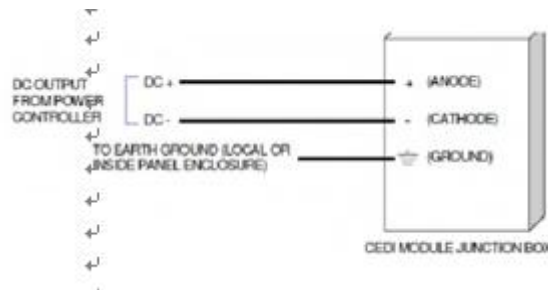
## 2.4.2 Space Requirements

- The physical dimensions of IT-DS Modules are given in Appendix A.
- In addition to the size of the module itself, the arrangement of the piping and electrical connections determines the amount of space the module needs to operate. This arrangement varies from site to site, depending on the conditions at a particular location.

## 2.4.3 Electrical Requirements

- IT-DS modules require the following power sources (see Table 2-1). In all cases the cathode must be at earth ground potential as shown in Figure 2-2.

**Figure 2-2** Module Grounding Requirements



**Table 2-1** IT-DS Series Power Requirements

Module Type	Design DC volts	Design DC Amps
IT- DS05-S	0~55	0~6
IT- DS10-S	0~135	0~6
IT- DS20-S	0~240	0~6
IT- DS30-S	0~320	0~6
IT- DS50-S	0~400	0~6

## 2.4.4 Feed Water Requirements - RO Permeate

Feed water for IT-DS modules must always meet the specifications outlined in Table 2-2 below. In most cases, pre-treating IT-DS modules feed water with reverse osmosis (RO) will bring it within these specifications. Depending on the conditions, however, some sites may require additional pretreatment. To determine if additional pretreatment is required, compare the IT-DS feed water (RO Permeate) on site with the feed water requirements listed below.

**Table 2-2** Feed Water Specifications

Feed Water Source	RO permeate
Feed Water Conductivity Equivalent, including CO <sub>2</sub>	< 40 µS/cm
Silica (SiO <sub>2</sub> )	< 1 ppm
Iron (as Fe, Mn, S)	< 0.01 ppm
Maximum Total Chlorine (as Cl)	< 0.02 ppm
Total Hardness (as CaCO <sub>3</sub> )	< 1.0 ppm
Dissolved Organics (TOC as C)	< 0.5 ppm
pH	4 - 11
Temperature	41-113°F ( 5 - 45°C )
Inlet Pressure	< 100 psi ( 7 bar )

- NOTE - If the CO<sub>2</sub> concentration of IT-DS modules feed water is above 5.0 ppm, buildup of CO<sub>2</sub> in the water system may make it impractical to recycle the IT-DS module reject to the RO feed.

## 2.4.5 Drain Requirements

Place the IT-DS module(s) near a drain that can accommodate at least 100% of the total feed flow.

## 2.5 Flow Rates and Pressure Drops

See Appendix A

# 3 IT-DS Module Installation & Operation

This section contains the following installation information:

- Moving and unpacking - Moving the Module into place and unpacking it
- Connecting the Module - Connecting the plumbing and electrical.

## 3.1 Moving the IT-DS Module into Place

Confirm that the pre-installation requirements outlined in Section 2 are met and the system is ready for IT-DS Module installation.

- Remove shrink wrap (if applicable) and move the module to its operating location. Threaded holes (3/4 -10 UNC) are provided on each endplate to allow installation of eye bolts or handles for assistance.
- Remove the plugs or caps that seal each of the inlet and outlet ports.



Use safe lifting practices when moving the module.



Failure to remove plugs can cause permanent damage to the modules.

## 3.2 Checking Module Torque - First time operation



If the nuts on the threaded tie bars have loosened during shipment, the pressure from the incoming water can cause permanent damage. Therefore the bolt torque must be checked and the module tightened as required before flowing water into the module.

Always drain water from the IT-DS module before tightening the endplate tie bar nuts. This relieves pressure in the module. Failure to do so can result in irreversible damage.

Do not open the IT-DS Module. Opening the module will void the warranty and do irreversible damage.

Before starting the IT-DS Module for the first time, check the tightness of the Module end plate tie-bar nuts. Referring to Figure 3-1 and Table 3-1, tighten as required. Not all modules will need tightening.

## Tightening End Plate Tie-bar Nuts

**Sequence:** Figure 3-1 shows the sequence in which to tighten the tie bars. In other words, start the tightening process with # 1, and finish with # 14.

**Torque Specification:** Table 3-1 gives the torque specification for each tie-bar, as numbered in Figure 3-1.

Tighten the end plate tie-bar nuts on the IT-DS Module following these steps:

1. Using a 19 mm open ended wrench, hold the acorn nuts on the plumbing (cathode) end of the module.
2. Insert the 19 mm extra deep socket (IONTECH part number IP-IT-DSSOCKET) in a torque wrench and turn all 14 tie-bar hex nuts (anode end) to 10 ft-lbs following the sequence.
3. Set the torque wrench to 12.5 ft-lbs and tighten positions 1-8 and 11-14 to this specification.
4. Reset the torque wrench to 25 ft-lbs and tighten positions 1-8 to this specification.
5. Confirm that 11-14 are still at 12.5 ft-lbs and 9,10 are still at 10 ft-lbs. If not, retighten. Use caution to avoid over tightening. Do not exceed torque specified in Table 3-1.



**Figure 3-1** Module Tightening Sequence

**Table 3-1** Tie bar torque specifications

Tie-bars	Torque
1-8	25 ft. lbs
11-14	12.5 ft. lbs.
9,10	10 ft. lbs.

## 3.3 Connect Plumbing Fittings

Make sure all upstream pretreatment equipment and piping have been thoroughly flushed with particle-free water before connecting them to the IT-DS Module.



**Pre-Flushing** - Make sure all upstream pretreatment equipment and piping have been thoroughly flushed with particle-free water before connecting them to the IT-DS Module. Flushing removes any particles left in the piping from cutting and assembly. If particles remain, they could plug the small internal passages inside the IT-DS Module.

**NOTE** - Failure to properly flush pretreatment water system of installation debris to drain prior to flowing water to the EDI can result in particulate fouling that may be irreversible.

The drawing in Appendix C shows the location and pipe sizes for plumbing connections to the module. The module pipe connections are male BSP thread and are designed to seal against the flat gasket. Do not use Teflon tape or other sealant on these ports.

**Sealing Mechanism** - The seal is created by a compressing the flat gasket elastomer that has been over-molded onto the male BSM threaded connection ports. The threads are NOT TAPERED pipe threads and DO NOT CREATE the seal. The BSP parallel threads allow the sealing surfaces to move towards each other to effectively compress the elastomer.

**Use of Sealants** - DO NOT use Teflon® tape or any other pipe sealant (e.g. Dope) on the BSP thread adapters. The use of these products on the BSP thread adapter will prevent good sealing.



## 3.4 Electrical

### 3.4.1 Electrical Precautions



Do not run AC and DC wiring within the same conduit. This may cause interference and lead to malfunctions.



Disconnect power before opening any enclosure and follow acceptable Lockout/Tagout procedures when working on the system.

All wiring done in the field must conform to local electrical codes. Consult your local service provider if there is a conflict between the instructions in the manual and the local codes.

Loose wire connections can cause electrical arcing and must be avoided. Ensure that all terminal connections are properly tightened.

### 3.4.2 Electrical Connections

Run conduit and wires from the DC power supply to the terminal strip inside the anode or cathode junction box. (see drawing in Appendix B). There should be one lead for the anode (+), one lead for the cathode (-), and one for the ground (see Figure 2-2). Insure the DC wiring is correctly connected to the DC power supply and meets local electrical code.

Power connections to the module junction box should be made with 12AWG (3.31mm) wire.

Power connections from the modules should be connected to a suitable power supply capable of meeting the DC power requirements of the module.

### 3.4.3 Determine Operating DC Current Prior to Startup

Test the IT-DS feed water quality by running the RO system / EDI feed water to drain and testing with the following individual test kits:

**Table 3-2 Feed water test kits**

Analyte	Hach Model	Smallest increment
CO <sub>2</sub>	CA-23 (#143601)	1.25 mg/L
Cl <sub>2</sub>	CN-70 (#1454200)	0.02 mg/L
Hardness	HA-71A (#145201)	1 mg/L
Silica	SI-7 (#2255000)	0.02 mg/L

**Set the electrical current at the specific setting required to meet product water quality specifications as estimated below.**



**NOTE: A carbon dioxide test kit is necessary to measure the CO<sub>2</sub> concentration in the feed water.**

The DC current set point is determined based on the following site conditions:

- Feed water conductivity
- Feed water carbon dioxide concentration
- Flow rate per module

The following equation will calculate the current to be applied to one IT-DS module. For multiple systems, each one should be controlled individually and set to this current.

To determine the current setting (amps), follow these steps:

a) Calculate **Feed Conductivity Equivalent (FCE)**

**FCE** = Measured Conductivity, (μS/cm) + (CO<sub>2</sub> ppm x 2.79)

b) Calculate Current (I)

$$I_{\text{current}} = \frac{(1.31) (Q \text{ liters/min}) (\text{FCE})}{(\text{dilute\_cells}) (\text{c.e})}$$

Where: Q = Product flow (liters/min)

FCE = Feed Conductivity Equivalent

I = Current (amps)

c.e.= %Current Efficiency, 10 to 20 is typical

dilute\_cells = number of product(dilute) compartment cells (IT-DS4 has 4 product compartment cells and IT-DS10 has 10 product compartment cells ... IT-DS45 has 45 product compartment cells)

**Example** - for one IT-DS30:

Product Flow = 15 gpm = 56.8 liters/min

Dilute\_cells = 30 cells

Feed conductivity = 2.0 μS/cm

Feed carbon dioxide = 3.75 ppm CO<sub>2</sub> 1. FCE

= 2.0 + (2.79) (3.75) = 12.46

2. I = [(1.31) (56.8 GPM) (12.46 μS/cm)] / [(30cells)(20)] = 1.5 Amps

**Example Above - SET THE CURRENT AT 1.5 AMPS**

NOTE: The above calculations assume 20% current efficiency, which is suitable for many applications. However, certain applications, such as those requiring high silica removals, may require operating at 10% current efficiency, or two times the amperage calculated above. The modules should be set to operate with a constant current allowing the voltage to fluctuate with changes in temperature, flow, etc.

## 3.5 START-UP Procedure

Test IT-DS module feed water to ensure that feed water parameters are within the required ranges. The most common tests are listed in Table 3-2.

- Test flow switches and other interlocks, including the RO interlock if applicable
- Test pressure relief if applicable
- Set alarm points

### 3.5.1 Start-up IT-DS module

- Make sure that modules are correctly connected to the DC power source.
- Make sure that the IT-DS product piping line is directed to drain.
- Turn on the feedwater. Adjust valves to obtain the desired flows and pressures in the product and reject streams. Standard IT-DS reject flow is typically set at about 11% of the product flow (this gives a water recovery of 90%). See Section 3.6 on recovery, hardness and silica for additional information regarding recovery. **Valves are adjusted so the product outlet pressure is about 2 to 5 psig higher than the reject(concentrate) outlet pressure at the desired flow rates. This pressure balance is critical to ensure optimal EDI performance.**
- Adjust the DC power supply to the current setting calculated in Section 3.4.3. Or use the DC Startup Current Calculator available on [Iontechbj.com](http://Iontechbj.com).
- Test all flow switches and interlocks to ensure IT-DS DC power is shut off when flow is interrupted.
- Continue to direct the product water to drain until it reaches the desired quality.
- Once product reaches the desired quality, connect to process. Readjust pressures as required to maintain product(dilute) outlet pressure 2-5 psi above the reject(concentrate) outlet pressure.
- When the system is at steady state (quality in specification and stable operation), record operating data on the data sheet provided in Section 4.1.1.

## 3.6 Recovery, Silica and Hardness

IT-DS recovery of 95% is limited to systems with feed water total hardness of less than or equal to 0.2 ppm as CaCO<sub>3</sub>. Reduction of hardness is normally accomplished with ion-exchange softening or with two-pass RO. In addition there are minimum reject(concentrate) flow with requirements listed below in Table 3-3. Therefore, 95% recovery is not always attainable for less than nominal product flow rates.

For recovery of 90-95%, feed water silica must be  $\leq 1$  ppm as  $\text{SiO}_2$

**Table 3-3** Minimum Concentrate Flow Rates

Module Type	No. cells	Minimum Concentrate Flow Rate
IT-DS05-S	4	0.07 gpm [16.2 lph]
IT-DS10-S	10	0.16 gpm [35.6 lph]
IT-DS20-S	18	0.27 gpm [61.4 lph]
IT-DS30-S	30	0.44 gpm [100.3 lph]
IT-DS50-S	45	0.66 gpm [148.8 lph]

**NOTE:** The concentrate flow rates per module should never drop below the recommendations in Table 3-3. Failure to maintain necessary concentrate (reject) flow rates can create improper flow distribution (channeling), decrease product quality and potentially permanently damage the EDI module through overheating.

**Equation 3-1** Recovery Equation

$$\% \text{ Recovery} = \frac{\text{Product Flowrate}}{\text{Feed Flowrate}} \times 100 \qquad \text{Feed Flowrate} = \frac{\text{Product Flowrate}}{\% \text{ Recovery}} \times 100$$

## 4 Maintenance and Troubleshooting

The following section details the maintenance procedures for the IT-DS module. It contains general maintenance information and specific maintenance information for cleaning and sanitizing the modules.

**NOTE:** The cleaning chemical volumes & flows detailed in this section are per a single module.

This section also lists possible problems and troubleshooting procedures for the IT-DS module. All operators and personnel involved with the module should read and become familiar with all maintenance and troubleshooting procedures.

### 4.1 General Maintenance Guidelines

#### 4.1.1 Operating Data Log Sheets

IT-DS system log sheets should be filled out daily to provide early detection of problems that could jeopardize the warranty and potentially damage the module. A typical log sheet is included at the end of this section 4.1.1. Because instrumentation may vary depending on the type of system the module is installed into, this log sheet may not apply to your particular system. The system

manual should contain log sheets more appropriate for your particular system. **However, the items in bold must be filled out to maintain module warranty.**

## 4.1.2 Periodic Maintenance

Perform the following tests at least once every six months. Check the Troubleshooting portion of this Section for any recommendations that are not listed below.

- Check for any water leakage from the module. If leakage is observed, see the Troubleshooting subsection for possible solutions.
- Closely inspect the module for any buildup of salt on the spacers, endblocks, or endplates. If salt buildup is apparent, turn off power and rinse salt from the module.
- Periodically tighten all electrical connections.
- Check torque on module bolts per section 3.2

## 4.2 Specific Maintenance Guidelines

Periodically, the IT-DS module may need cleaning or sanitization. Cleaning the module removes scale and other resin/membrane foulants.



Before starting any cleaning or sanitization procedure, see section ?? for recommended cleaning solutions and use. Ensure that all necessary chemical material safety standards are followed.



Do not run cleaning or sanitization solution through the IT-DS modules when DC power is applied to the modules. Make sure that DC power is OFF before cleaning.

### 4.2.1 Cleaning Circumstances

The module may need CLEANING if:

- Product(dilute) differential pressure increases by 50% without a change in temperature and flow, or
- Reject(concentrate) differential pressure increases by 50% without a change in temperature and flow, or
- Product quality declines without a change in temperature, flow, or feed conductivity, or
- The module's electrical resistance increases by 25% without a change in temperature.

The above factors may indicate module fouling or scaling. Contact your Local Service Provider to determine if the module needs cleaning or for the best cleaning procedure. These operational circumstances can be noted through periodic reviews of module trends using the daily operational log sheets.

### 4.2.2 Sanitization Circumstances

The system may require periodic SANITIZATION if the product water calls for low levels of bacteria (a user specific requirement). Through the use of electrical current to drive ions into dilute and concentrating compartments, the EDI module establishes a bacteriostatic

environment that does not promote bacterial growth. However, high feed water bacterial counts may necessitate sanitization.

## 4.2.3 Required Cleaning and Sanitizing Equipment

The following cleaning equipment and descriptions must be constructed of materials compatible with the recommended cleaning solutions.

During cleaning, the following equipment is required:

### Tank

Connect a 50-gallon (190-liter) or larger tank to IT-DS system. The tank should be large enough to accommodate solution volumes as shown in this section. The cleaning solution will be prepared in this tank. It should be possible to completely drain the cleaning tank. Conical-bottom tanks are ideal.

### Pump

Install a cleaning pump between the system and the cleaning tank. The pump must provide a minimum discharge pressure of at least 30 psig (2 bar) at the flow rate given in Table 4-1. The construction materials of the wetted surfaces in the pump must be compatible with the cleaning solutions. Plastics generally work well with most cleaning chemicals.

During cleaning or chemical sanitization, adjust flow rates as follows (use the highest flow rate possible per Table 4-1 below):

### Filtration

Particulate filtration is required equipment on the cleaning skid to ensure that any solids or foulants that are removed from the IT-DS module during cleaning or sanitization are not recycled back into the feed ports of the IT-DS EDI module. The internal IT-DS cell distribution contains small channels and can become blocked if particulates are not removed from the cleaning/sanitization fluid. IONTECH recommends a polypropylene high quality 5 micron nominal (90% efficiency) depth filter cartridge for the cleaning skid arrangement. Filter materials must be compatible with the cleaning and sanitization fluids.

**Table 4-1** Recommended Cleaning Flow Rates per IT-DS Modules

IT-DS Compartment	Flow Rates (gpm)				
	IT-DS05-S	IT-DS10-S	IT-DS20-S	IT-DS30-S	IT-DS50-S
Product	2	5	9	15	22.5
Reject (Concentrate)	1	2.5	4.5	7.5	11.25
Pump Capacity	3	7.5	13.5	22.5	33.75
Use the highest flow rates possible up to the values above.					

### Valves and Hoses

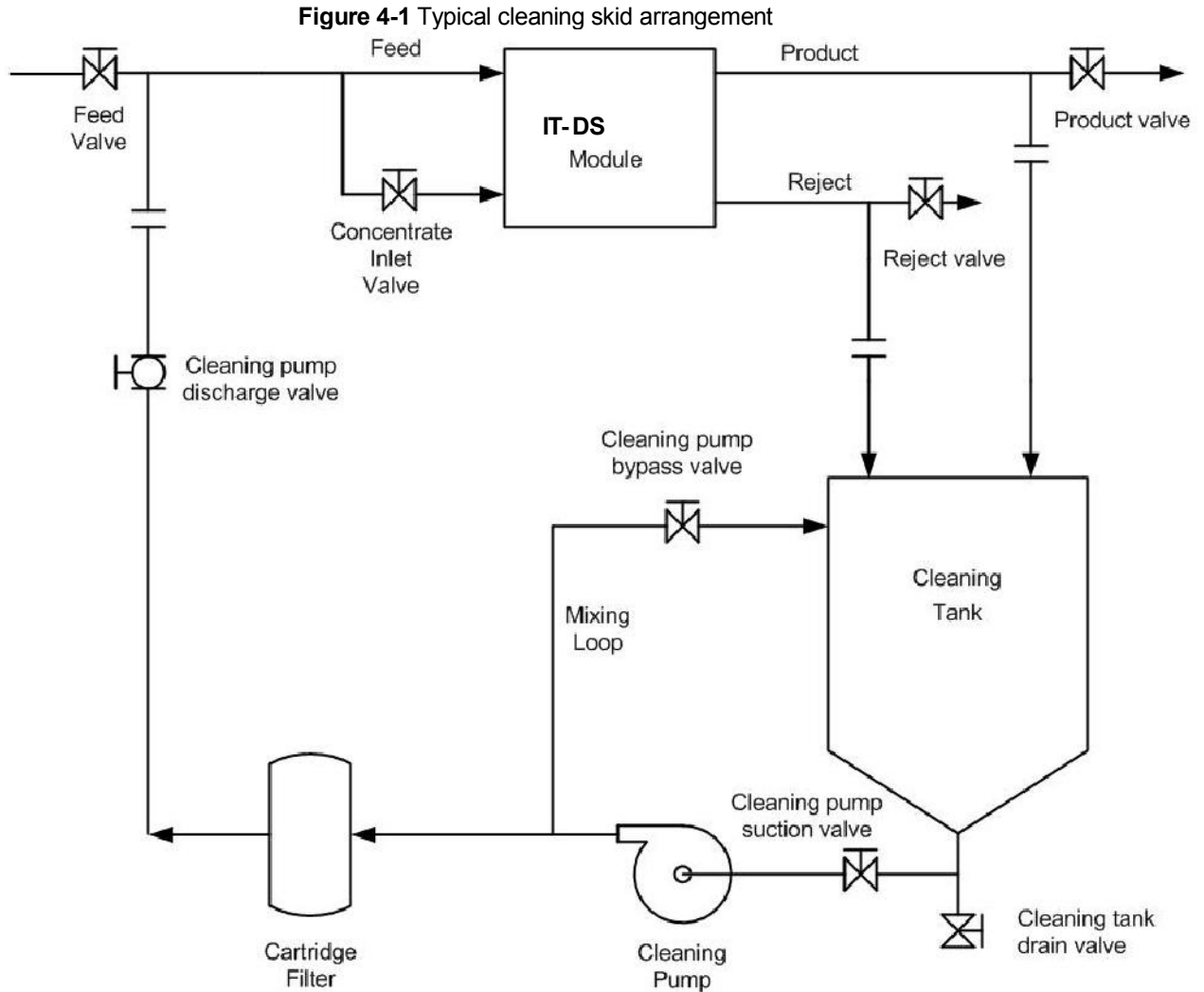
Figure 4-1 shows a typical flow diagram for cleaning or sanitizing a IT-DS system. Valves are needed for mixing, cleaning, and draining the tank.

Flexible hose is ideal for connecting cleaning equipment to the system. Verify that the construction materials of the valves and hose are compatible with the cleaning solutions.

## 4.2.4 System Preparation for Cleaning or Sanitization

NOTE: The following cleaning procedures are based on the piping set up shown in Figure 4-1. If your piping setup is different, you may need to alter these procedures.

1. Turn off the DC power supply.
2. Close the following valves to the IT-DS system: Feed and Product
3. Connect the discharge of the cleaning pump to the IT-DS feed CIP connection.
4. Connect the module's feed, reject and product CIP connections to the cleaning tank. Verify that all piping connections are secure.
5. Close cleaning pump discharge valve until ready to pump the cleaning solution into the IT-DS module.
6. Close cleaning pump discharge valve until ready to pump the cleaning solution into the IT-DS module.



## 4.3 Cleaning and Chemical Sanitization Procedures



- Avoid direct skin contact with cleaning chemicals. Wear safety glasses and protective clothing.
- Pressure test the cleaning skid with water before adding chemicals to the tank.
- Flush all hoses and tank with clean water BEFORE adding chemicals.
- To reduce the possibility of chemical sprays, relieve the pressure in chemical lines before disassembly.
- Follow the manufacturer's chemical safety instructions on the container labels.
- Check the pH level in any solution before letting it flow to the drain. Follow all discharge limitations.



Do not run a cleaning solution through the system when DC power is applied to the module. Make sure the DC power is off before cleaning.

The system can be cleaned and sanitized with any of five (6) different solutions, depending on what needs to be removed:

- Hydrochloric acid (2%) - **For removing scale and metal oxides.**
- Sodium chloride/sodium hydroxide (5% brine/1% caustic) - **For removing organic foulants and biofilm.**
- Sodium percarbonate - **For removing organic foulants, reducing pressure drop, and sanitizing.**
- Peracetic Acid - **Used for routine sanitizing to discourage the growth of bacterial films.**
- Aggressive Multi-Agent cleaning for Biofilm - Recommended for general biofouling with increase in pressure drop. This aggressive cleaning protocol consists of 5% sodium chloride followed by a 2% sodium hydroxide and then followed by a 1% sodium percarbonate with a final 5% sodium chloride flush. The combination of these treatments performed sequentially has proven to be more effective than any single treatment performed separately.
- Aggressive Multi-Agent cleaning for Fouling/scaling - Recommended for fouling and scale remediation with drop in performance combined with increased electrical stack resistance. Aggressive sequential cleaning protocol of salt (5% sodium chloride) then followed by caustic (2% sodium hydroxide) followed by acid (2% hydrochloric acid) with a final 5% sodium chloride flush (see [Service Bulletin 2007-02](#)). Extended soaking or increasing the acid concentration in the range from 2%-4% HCl based on the severity of electrical stack resistance increase increases the benefits of this treatment.

NOTE: If you are unsure whether the module is scaled or organically fouled, clean first with brine/caustic and then follow with the cleaning hydrochloric acid.

## 4.3.1 Cleaning with 2.0% Hydrochloric Acid (HCl)

Hydrochloric acid is a corrosive chemical. Wear safety glasses, gloves, and protective clothing when using this or any corrosive chemicals.

Cleaning with Hydrochloric Acid involves three steps:

1. Hydrochloric acid treatment (2% HCl).
2. A salt flush (5% NaCl), and
3. Water flush.

### STEP 1: Recirculating The HCl Solution

NOTE: The quantities in Table 4-2 represents the minimum amount of HCl required. It may be necessary to use additional HCl to effectively clean a scaled Module. Monitor the pH of the solution during the recirculation period. If the pH begins to rise, add more HCl to maintain a pH of approx

Circulating HCl through the system removes scale and metal oxides from the module.oximately 0.5.

**Table 4-2** HCl preparation

<b>Chemicals necessary for Step 1 (2% HCl)</b>	<b>IT-DS05-S</b>	<b>IT-DS10-S</b>	<b>IT-DS20-S</b>	<b>IT-DS30-S</b>	<b>IT-DS50-S</b>
Water (RO permeate or CEDI prod)	6.5 gal (25 liters)	13 gal (50 liters)	20 gal (75 liters)	33 gal (125 liters)	49 gal (185.5 liters)
36.5% Hydrochloric Acid (HCl)	0.28 gal (1.08 liters)	0.55 gal (2.15 liters)	0.9 gal (3.2 liters)	1.4 gal (5.4 liters)	2.0 gal (8.0 liters)

NOTE: The following cleaning procedures are based on the piping setup shown in Figure 4-1.

1. Prepare the IT-DS system for chemical cleaning. Follow the instructions in Section 4.2.4. Make sure the tank drain valve is closed.
2. Fill the tank with the required amount of water.
3. Mix the required amount of 36.5% (concentrated) HCl with the water in the tank. Additional HCl may be required during the recirculation period. Open the pump suction and pump bypass valves completely. Start the cleaning pump.
4. When chemicals are well mixed, gradually open the pump discharge valve while closing the pump bypass valve to adjust the product and reject flow rates to the values given in Table 4-1.
5. a. Recirculate the solution through the module for at least 30 minutes.
6. b. Monitor the pH of the solution during the recirculation period. If the pH begins to rise, add more HCl to maintain a pH of approximately 0.5. Turn off the cleaning pump.
7. Check pH. Neutralize if necessary. Drain the tank.
- 8.

### STEP 2: Salt Flush To Drain



# IONTECH<sup>®</sup> IT-DS EDI Modules

This salt flush rinses the cleaning solution from the module, and returns the ion exchange resin to the sodium and chloride forms.

<b>Chemicals necessary for Step 2 (5% NaCl)</b>	<b>IT-DS05-S</b>	<b>IT-DS10-S</b>	<b>IT-DS20-S</b>	<b>IT-DS30-S</b>	<b>IT-DS50-S</b>
Water (RO permeate or CEDI prod)	12 gal (45 liters)	24 gal (90 liters)	36 gal (135 liters)	60 gal (225 liters)	90 gal (335.5 liters)
Sodium chloride (NaCl)	5 lbs (2.25 kg)	10 lbs (4.5 kg)	15 lbs (6.8 kg)	25 lbs (11.4 kg)	37.5 lbs (17 kg)

1. Remove product and reject outlet lines from the cleaning tank, and direct to drain. Fill the tank with the water.
2. Dissolve the sodium chloride (NaCl) in the water.
3. Start the cleaning pump and flush through the module to drain for about three minutes.
4. Turn off the cleaning pump. Drain the tank.

### STEP 3: Water Flush To Drain

1. Close the pump discharge valve. Keep product and reject lines directed to drain and disconnect the cleaning equipment from the module.
2. Turn on the feed water supply to the system. Slowly open the feed valve to allow RO product water to flow through the module to drain.
3. After flushing all residual cleaning solutions from the system, follow the initial start-up procedures in Section 3.5 of this manual. Start without the DC power applied to the VNX module for five minutes and then restore normal DC power.

## 4.3.2 Cleaning with 5% Brine/1% Caustic Solution



Sodium Hydroxide is a corrosive chemical. Wear safety glasses, gloves, and protective clothing when using this or any corrosive chemicals.

A 5% sodium chloride (NaCl)/1% sodium hydroxide (NaOH) solution works well for removing organic foulants from the module. Use this solution for both routine cleaning and removing organic foulants.

This procedure involves two steps:

- Optional Initial salt flush - (perform if module resin may contain hardness)
1. Brine/caustic cleaning.
  2. Water flush.

### STEP 1: Cleaning Solution Recirculation

This step removes organic foulants from the module.

**Table 4-3** Brine / Caustic Cleaning Chemicals

Chemicals necessary for Step 1- brine/caustic	IT-DS05-S	IT-DS10-S	IT-DS20-S	IT-DS30-S	IT-DS50-S
Water (RO permeate or CEDI prod)	6.5 gal (25 liters)	13 gal (50 liters)	20 gal (75 liters)	33 gal (125 liters)	45 gal (169 liters)
Sodium chloride (NaCl)	2.25 lbs (1.25 kg)	5.5 lbs (2.5 kg)	15 lbs (6.8 kg)	14 lbs (6.25 kg)	21 lbs (8.4 kg)
Sodium hydroxide (NaOH) pellets OR 50% NaOH	0.55 lbs (0.25 kg) 0.09 gal (0.33 liters)	1.1 lbs (0.5 kg) 0.17 gal (0.65 liters)	1.7 lbs (0.75 kg) 0.26 gal (1.0 liter)	2.75 lbs (1.25 kg) 0.43 gal (1.6 liters)	4.13lbs (169 kg) 0.645 gal (2.16 liters)

NOTE: The following cleaning procedures are based on the piping setup shown in Figure 4-1.

1. Prepare the IT-DS system for chemical cleaning. Follow the instructions in Section 4.2.4. Make sure the tank drain valve is closed.
2. Fill the tank with the required amount of water.
3. Open the cleaning pump bypass valve and suction valve completely. Start the cleaning pump.
4. Dissolve the specified amount of sodium chloride in the water.
5. Dissolve or mix the specified amount of sodium hydroxide (NaOH) in the water.
6. When chemicals are well mixed, gradually open the cleaning pump discharge valve while closing the bypass valve to adjust the product and reject flow rates to the values given in Table 4-1.
7. Recirculate the solution through the module for 30-60 minutes.
8. Turn off the cleaning pump.
9. Check pH. Neutralize if necessary. Drain the tank.

### STEP 2: Water Flush To Drain

This Step flushes the cleaning solution out of the system, and prepares the system for return to operation.

1. Remove product and reject lines from the cleaning tank and direct to drain. Close the cleaning pump discharge valve.
2. Turn on the feed water supply to the system. Slowly open the feed valve to allow RO product water to flow through the module to drain.
3. After flushing all residual cleaning solutions from the system disconnect the cleaning equipment.
4. After flushing all residual cleaning solutions from the system, follow the initial start-up procedures in Section 3.5 of this manual. Start without the DC power applied to the VNX module for five minutes and then restore normal DC power.

### 4.3.3 Cleaning or Sanitizing with Sodium Percarbonate



Sodium percarbonate, sodium carbonate, and hydrogen peroxide are corrosive chemicals. Avoid contact with these chemicals.



# IONTECH<sup>®</sup> IT-DS EDI Modules

Do not use powdered sodium percarbonate. It may contain impurities that can harm the module.

Sodium percarbonate is a combination of sodium carbonate (soda ash) and hydrogen peroxide. It is an effective biocide and it reduces organic fouling and plugging. In addition, it is an effective cleaner for removal of biofilms.

- **Flush the IT-DS module with a 5% Sodium Chloride (NaCl) solution both before and after sodium percarbonate sanitization. The initial NaCl rinse removes metal ions, particularly calcium, and magnesium ions from the module.**

The sanitization procedure for sodium percarbonate involves five steps:

1. An initial salt flush
2. A water flush
3. The percarbonate cleaning
4. A second salt flush
5. A final water flush

## STEP 1: Initial Salt Flush To Drain

This initial 5% NaCl rinse removes any metal ions, particularly calcium and magnesium ions, from the module.

<b>Chemicals necessary for Step 1 (5% NaCl)</b>	<b>IT-DS05-S</b>	<b>IT-DS10-S</b>	<b>IT-DS20-S</b>	<b>IT-DS30-S</b>	<b>IT-DS50-S</b>
Water (RO permeate or CEDI prod)	12 gal (45 liters)	24 gal (90 liters)	36 gal (135 liters)	60 gal (225 liters)	90 gal (335.5 liters)
Sodium chloride (NaCl)	5 lbs (2.25 kg)	10 lbs (4.5 kg)	15 lbs (6.8 kg)	25 lbs (11.4 kg)	37.5 lbs (17 kg)

NOTE: The following cleaning procedures are based on the piping setup shown in Figure 4-1.

1. Prepare the IT-DS system for chemical cleaning. Follow the instructions in Section 4.2.4. Make sure the tank drain valve is closed.
2. Fill the tank with the required amount of water. IONTECH
3. Dissolve required amount of sodium chloride (NaCl) in the tank water. Open
4. the cleaning pump suction valve and bypass valve completely.
5. Divert the product and reject to drain
6. Start the cleaning pump. When chemicals are well mixed gradually open the cleaning pump discharge valve while closing the cleaning pump bypass valve to adjust the product and reject flow rates to the values given in Table 4-1.
7. Flush the salt solution to drain for about 3 minutes.
8. Turn off the cleaning pump. Drain
9. the tank.

## STEP 2: Water Flush To Drain

Water flush rinses the salt solution from the module before cleaning solution is introduced.

<b>Chemicals necessary for Step 2 (Water Flush)</b>	<b>IT-DS05-S</b>	<b>IT-DS10-S</b>	<b>IT-DS20-S</b>	<b>IT-DS30-S</b>	<b>IT-DS50-S</b>
Water (RO permeate or CEDI prod)	12 gal (45 liters)	24 gal (90 liters)	36 gal (135 liters)	60 gal (225 liters)	90 gal (335.5 liters)

1. Fill the tank with the required amount of water.
2. Start the cleaning pump and flush to drain for about three minutes.
3. Turn off the cleaning pump.
4. Drain the tank.

### STEP 3: Cleaning Solution Recirculation

This 1% sodium percarbonate step removes organics and biofilm.

<b>Chemicals necessary for Step 3 (1% 2Na<sub>2</sub>CO<sub>3</sub> 3H<sub>2</sub>O<sub>2</sub>):</b>	<b>IT-DS05-S</b>	<b>IT-DS10-S</b>	<b>IT-DS20-S</b>	<b>IT-DS30-S</b>	<b>IT-DS50-S</b>
Water (RO permeate or CEDI prod)	6.5 gal (25 liters)	13 gal (50 liters)	20 gal (75 liters)	33 gal (125 liters)	45.4 gal (200 liters)
100% Sodium carbonate (Na <sub>2</sub> CO <sub>3</sub> )	0.55 lbs (0.25 kg)	1.1 lbs (0.5 kg)	1.7 lbs (0.75 kg)	0.55 lbs (0.25 kg)	4.5 lbs (2 kg)
30% Hydrogen peroxide (H <sub>2</sub> O <sub>2</sub> )	0.15 gal (0.55 liters)	0.3 gal (1.1 liters)	0.44 gal (1.65 liters)	0.15 gal (0.55 liters)	1.31 gal (4.48 liters)

1. Close the cleaning pump discharge valve.
2. Connect the product and reject lines to the cleaning tank. Fill the tank with the required amount of water.
3. Dissolve the sodium carbonate (Na<sub>2</sub>CO<sub>3</sub>) in the water. Make sure the sodium carbonate is fully dissolved before proceeding to the next step.
4. Mix the 30% hydrogen peroxide (H<sub>2</sub>O<sub>2</sub>) into the solution in the tank. Open the cleaning pump suction valve and bypass valve completely.
5. Start the cleaning pump. When chemicals are well mixed gradually open the cleaning pump discharge valve while closing the bypass valve to adjust the product and reject flow rates to the values given in Table 4-1.
6. Recirculate the solution through the module for 30 minutes. Some gas will be produced. In addition, the module pressure drop will increase during this procedure. Turn off the cleaning pump.
7. Check pH. Neutralize if necessary. Drain the tank.

### STEP 4: Salt Flush To Drain

This salt flush rinses the cleaning solution from the module, and returns the ion exchange resin to the sodium and chloride forms.

Chemicals necessary for Step 4 (5% NaCl)	IT-DS05-S	IT-DS10-S	IT-DS20-S	IT-DS30-S	IT-DS50-S
Water (RO permeate or CEDI prod)	12 gal (45 liters)	24 gal (90 liters)	36 gal (135 liters)	60 gal (225 liters)	90 gal (335.5 liters)
Sodium chloride (NaCl)	5 lbs (2.25 kg)	10 lbs (4.5 kg)	15 lbs (6.8 kg)	25 lbs (11.4 kg)	37.5 lbs (17 kg)

1. Remove product and reject outlet lines from the cleaning tank, and direct to drain. Fill
2. the tank with the water.
3. Dissolve the sodium chloride (NaCl) in the water.
4. Start the cleaning pump and flush to drain for about three minutes. Turn
5. off the cleaning pump.
6. Drain the tank.

### STEP 5: Water Flush to Drain

This step flushes the cleaning solution out of the system, and prepares the system for return to operation.

1. Close the cleaning pump discharge valve. Keep product and reject lines directed to drain and disconnect the cleaning equipment from the module.
2. Turn on the feed water supply to the system. Slowly open the feed valve to allow RO product water to flow through the module to drain.
3. After flushing all residual cleaning solutions from the system, follow the initial start-up procedures in Section 3.5 of this manual. Start without the DC power applied to the VNX module for five minutes and then restore normal DC power.

### 4.3.4 Cleaning or Sanitizing with Peracetic Acid



Peracetic Acid is a mixture of corrosive chemicals. Avoid contact with these chemicals.



Do not run a sanitization solution through the system when DC power is applied to the IT-DS module.

Flush the IT-DS module with a 5% Sodium Chloride (NaCl) solution both before and after Peracetic Acid sanitization. The initial NaCl rinse removes any metal ions, particularly calcium, and magnesium ions from the module.

The sanitization procedure for sodium Peracetic Acid involves five steps:

1. An initial salt flush
2. A water flush
3. The Peracetic Acid cleaning
4. A second salt flush
5. A final water flush

#### STEP 1: Initial Salt Flush To Drain

This initial 5% NaCl rinse removes any metal ions, particularly calcium and magnesium ions, from the module.

<b>Chemicals necessary for Step 1 (5% NaCl)</b>	<b>IT-DS05-S</b>	<b>IT-DS10-S</b>	<b>IT-DS20-S</b>	<b>IT-DS30-S</b>	<b>IT-DS50-S</b>
Water (RO permeate or CEDI prod)	12 gal (45 liters)	24 gal (90 liters)	36 gal (135 liters)	60 gal (225 liters)	90 gal (335.5 liters)
Sodium chloride (NaCl)	5 lbs (2.25 kg)	10 lbs (4.5 kg)	15 lbs (6.8 kg)	25 lbs (11.4 kg)	37.5 lbs (17 kg)

NOTE: The following cleaning procedures are based on the piping setup shown in Figure 4-1.

1. Prepare the IT-DS system for chemical cleaning. Follow the instructions in Section 4.2.4. Make sure the tank drain valve is closed.
2. Fill the tank with the required amount of water.
3. Dissolve required amount of sodium chloride (NaCl) in the tank water. Open
4. the cleaning pump suction valve and bypass valve completely.
5. Divert the product and reject to drain
6. Start the cleaning pump. When chemicals are well mixed gradually open the cleaning pump discharge valve while closing the bypass valve to adjust the product and reject flow rates to the values given in Section 4.2.3.
7. Flush the salt solution to drain for about 3 minutes. Turn
8. off the cleaning pump. Drain the tank.
- 9.

### STEP 2: Water Flush To Drain

Water flush rinses the salt solution from the module before cleaning solution is introduced.

<b>Chemicals necessary for Step 2 (Water Flush)</b>	<b>IT-DS05-S</b>	<b>IT-DS10-S</b>	<b>IT-DS20-S</b>	<b>IT-DS30-S</b>	<b>IT-DS50-S</b>
Water (RO permeate or CEDI prod)	12 gal (45 liters)	24 gal (90 liters)	36 gal (135 liters)	60 gal (225 liters)	90 gal (335.5 liters)

1. Fill the tank with the required amount of water.
2. Start the cleaning pump and flush to drain for about three minutes. 3. Turn off the cleaning pump. 4. Drain the tank.

### STEP 3: Sanitization Solution Recirculation and Soak

This step sanitizes the system.

# IONTECH<sup>®</sup> IT-DS EDI Modules

<b>Chemicals necessary for Step 3 (Peracetic Acid)</b>	<b>IT-DS05-S</b>	<b>IT-DS10-S</b>	<b>IT-DS20-S</b>	<b>IT-DS30-S</b>	<b>IT-DS50-S</b>
Water (RO permeate or CEDI prod)	6.5 gal (25 liters)	13 gal (50 liters)	20 gal (75 liters)	33 gal (125 liters)	454 gal (200 liters)
Peracetic Acid Solution*	0.07 gal (0.25 liters)	0.13 gal (0.5 liters)	0.20 gal (0.75 liters)	0.33 gal (1.25 liters)	0.5 gal (1.90 liters)
* Quantity based on a peracetic acid solution of 20% Hydrogen Peroxide with 4% peracetic acid. Do not exceed a final concentration of 0.2% peroxide and 0.04% peracetic acid					

- 1.
2. Close the cleaning pump discharge valve.
3. Connect the product and reject lines to the cleaning tank. Fill the
4. tank with the required amount of water. Mix the peracetic acid
5. solution into the tank.
6. Open the cleaning pump suction valve and bypass valve completely. Start the cleaning pump. When chemicals are well mixed gradually open the cleaning pump discharge valve while closing the bypass valve to adjust the product and reject flow rates to the values given in Section 4.2.3.
- 7.
8. Recirculate the solution through the module for 30 minutes. Turn
9. off the cleaning pump.
10. Allow the system to soak in the peracetic acid solution for up to 90 minutes. Check pH. Neutralize if necessary. Drain the tank.

## STEP 4: Salt Flush To Drain

This salt flush rinses the cleaning solution from the module, and returns the ion exchange resin to the sodium and chloride forms.

<b>Chemicals necessary for Step 4 (5% NaCl)</b>	<b>IT-DS05-S</b>	<b>IT-DS10-S</b>	<b>IT-DS20-S</b>	<b>IT-DS30-S</b>	<b>IT-DS50-S</b>
Water (RO permeate or CEDI prod)	12 gal (45 liters)	24 gal (90 liters)	36 gal (135 liters)	60 gal (225 liters)	90 gal (335.5 liters)
Sodium chloride (NaCl)	5 lbs (2.25 kg)	10 lbs (4.5 kg)	15 lbs (6.8 kg)	25 lbs (11.4 kg)	37.5 lbs (17 kg)

1. Remove product and reject outlet lines from the cleaning tank, and direct to drain. Fill
2. the tank with the water.
3. Dissolve the sodium chloride (NaCl) in the water.
4. Start the cleaning pump and flush to drain for about three minutes. Turn
5. off the cleaning pump.
6. Drain the tank.

## STEP 5: Water Flush to Drain

This step flushes the cleaning solution out of the system, and prepares the system for return to operation.

1. Close the cleaning pump discharge valve. Keep product and reject lines directed to drain and disconnect the cleaning equipment from the module.
2. Turn on the feed water supply to the system. Slowly open the feed valve to allow RO product water to flow through the module to drain.

3. After flushing all residual cleaning solutions from the system follow the initial start-up procedures in Section 3.5 of this manual. Start without the DC power applied to the IT-DS module for five minutes, then turn on the DC power at normal operating voltage and amperage.

## 4.3.5 Cleaning and Sanitizing with Multiple Cleaning Agents

NOTE: This section contains an outline of the steps required to accomplish the multiple agent cleaning. All chemical makeup requirements and procedure for these steps are covered in prior cleaning regimen sections. Please refer to the prior sections for exact procedural requirements for each step described in this section.



Hydrochloric Acid, Sodium Hydroxide, Sodium Percarbonate and Hydrogen Peroxide are hazardous chemicals. Avoid contact with these chemicals.



Do not use powdered Sodium percarbonate.

### 4.3.5.1 FOR BIOFILM

NOTE: Use this cleaning method only if the module is heavily biofouled, not for routine sanitizing.

This multiple step cleaning procedure uses brine, caustic and percarbonate cleaning steps for aggressive treatment of biofouled modules.

This multi-agent cleaning procedure involves 7 steps:

1. Salt flush
2. Water flush
3. 2% Caustic treatment
4. Water flush
5. Percarbonate treatment
6. Salt flush
7. Water flush

### 4.3.5.2 FOR HIGH RESISTANCE

This multiple step cleaning procedure uses brine, caustic and hydrochloric acid cleaning steps for aggressive treatment of high resistance modules.

This multi-agent cleaning procedure involves 6 steps:

1. Salt flush
2. Brine/caustic or caustic only (extended time soak if desired)
3. Salt flush
4. Hydrochloric Acid
5. Salt flush
6. Final water flush



## 4.4 Troubleshooting

The troubleshooting chart in this Section is a diagnostic guide. If the IT-DS system does not respond to the recommended solutions, do not attempt further repairs. Call your Local Service Provider.

Before calling:

Become thoroughly familiar with the module and all troubleshooting procedures.

Prepare a list of all problems encountered while operating the equipment. Have your monitoring log sheets at hand.

Have your module's model and serial numbers at hand. This information can be found on the end plate on the plumbing side (Cathode).

PROBLEM	CAUSE	SOLUTION
Module leaks	Module has loosened during shipment, movement, or operation	Tighten module; see section 3.2.
	Module is faulty	Contact your Local Service Provider
Plumbing leaks	Module adapters are loose	Tighten adapters, check gaskets
Poor water quality with power ON to unit	Operating current incorrectly set	Measure feed conductivity and CO <sub>2</sub> . Recalculate current according to Section 3.4.3 and adjust as necessary.
Loss of flow and/or increase in feed pressure	Module is fouled, scaled, or oxidized	See Troubleshooting chart at the end of this section.
	Obstruction downstream	Check if a downstream valve is inadvertently closed.
	System is plugged with particulate matter or fouled	See Troubleshooting Flow Chart at the Loss of flow and/or increase end of this section.
	Loss of feed flow	<ol style="list-style-type: none"> <li>1. Check if an upstream valve is inadvertently closed.</li> <li>2. Check for leaks or if an upstream bypass valve is inadvertently open.</li> <li>3. Check feed source output (for example, a pump).</li> </ol>

## IT-DS MODULE LOG SHEET

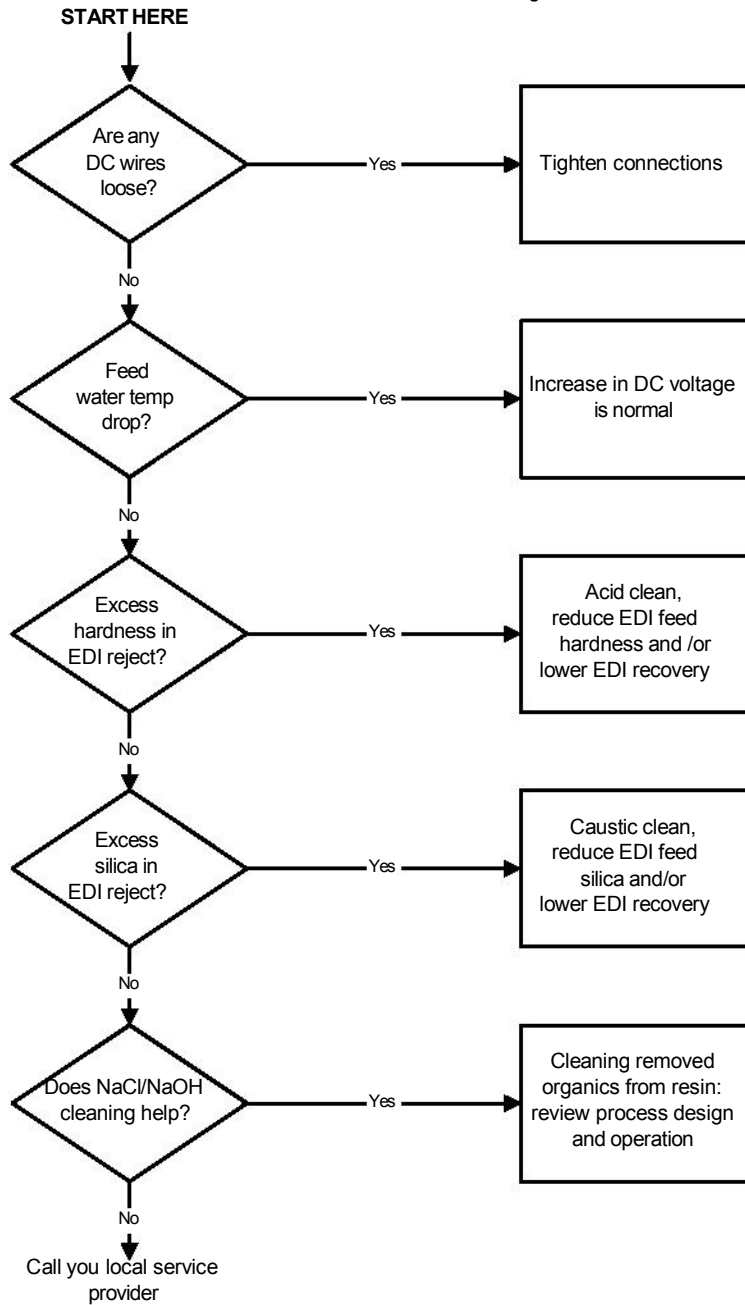
Customer Name: \_\_\_\_\_

Module Serial Number: \_\_\_\_\_

<b>DATE*</b>						
<b>TIME OF DAY*</b>						
<b>FEED WATER TEMPERATURE*</b>	°C					
<b>FEEDWATER TOTAL HARDNESS</b>	ppm CaCO <sub>3</sub>					
<b>FEED WATER TOTAL CHLORINE</b>	ppm as Cl <sub>2</sub>					
FEED CARBON DIOXIDE	ppm as CO <sub>2</sub>					
FEED CONDUCTIVITY	µmho/cm					
PRODUCT RESISTIVITY	Mohm-cm					
DC VOLTAGE	volts					
DC CURRENT	amps					
MODULE RESISTANCE (volts/amps)	ohms					
PRODUCT FLOW	gpm or m <sup>3</sup> /h					
REJECT FLOW	gpm or m <sup>3</sup> /h					
<b>DILUTE INLET PRESSURE*</b>	psig or bar					
DILUTE OUTLET PRESSURE	psig or bar					
PRODUCT DP (Dilutein – Diluteout)	psig or bar					
CONCENTRATE INLET PRESSURE	psig or bar					
CONCENTRATE OUTLET PRESSURE	psig or bar					
CONCENTRATE DP (Concin - Concout)	psig or bar					
COMMENTS:						

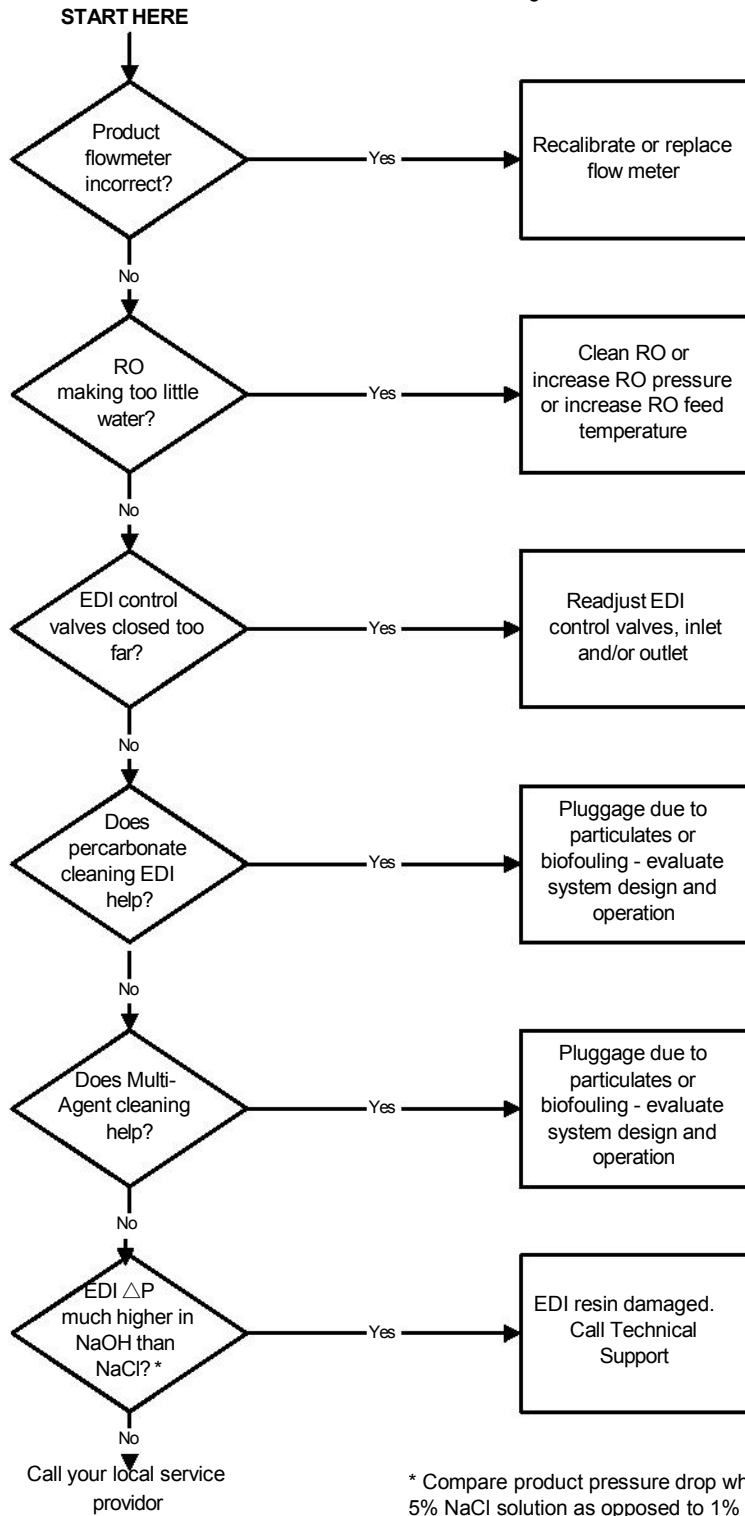
Troubleshooting Flow Chart - Increase in DC Volts

Page 1 of 1



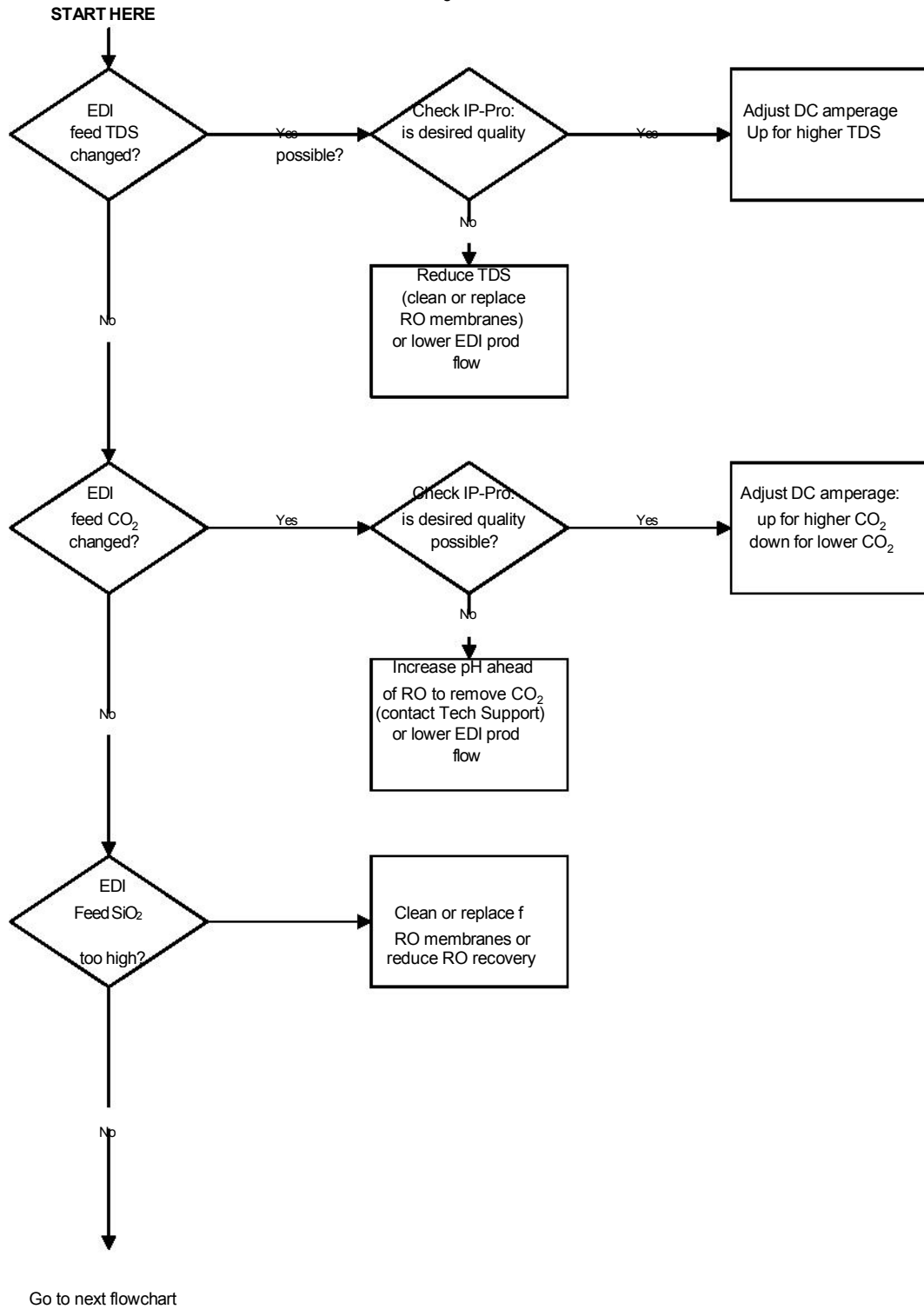
Troubleshooting Flow Chart - Low EDI Product or Reject Flow

Page 1 of 1

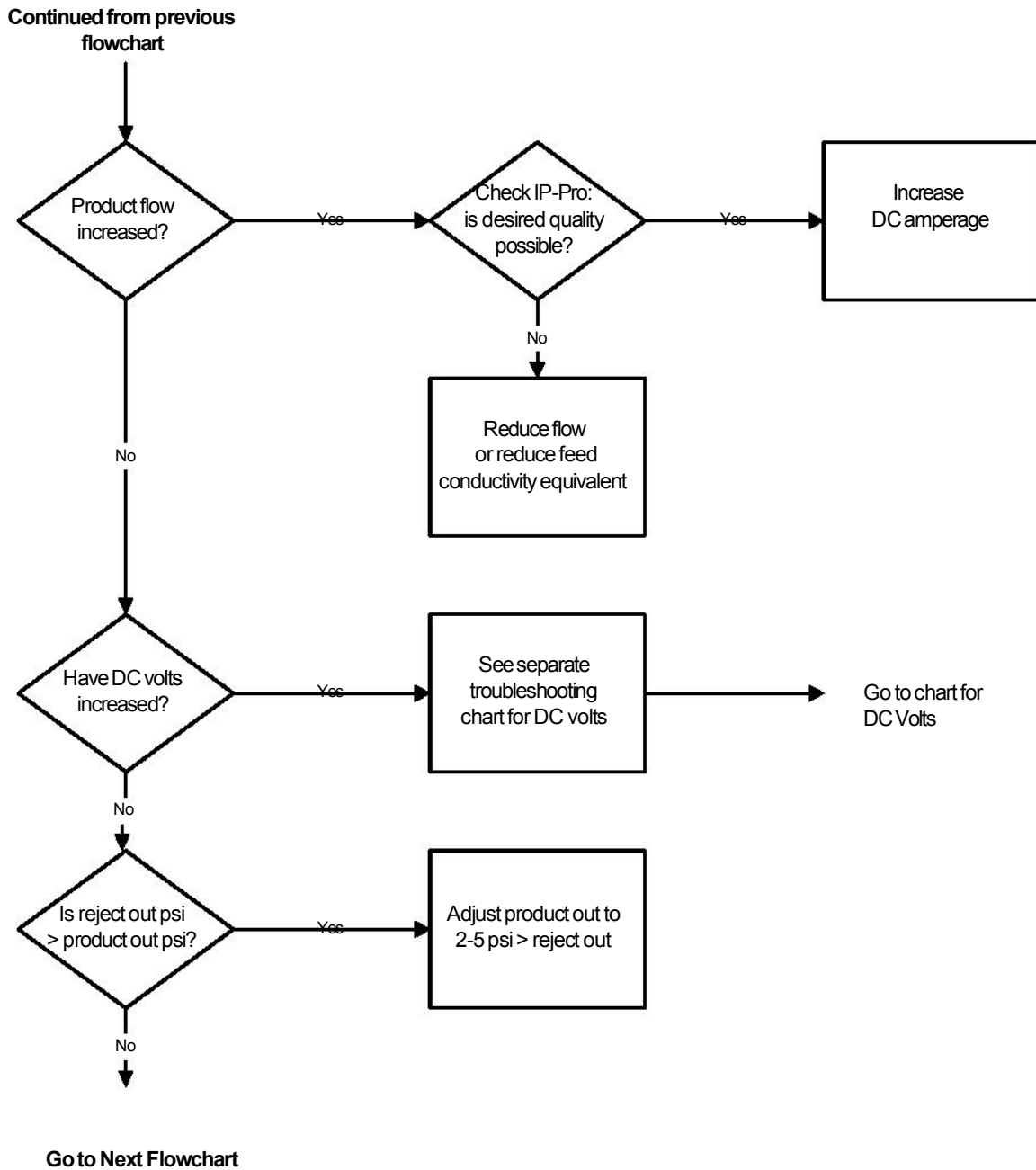


Troubleshooting Flow Chart - Low EDI Product Water Quality

Page 1 of 3

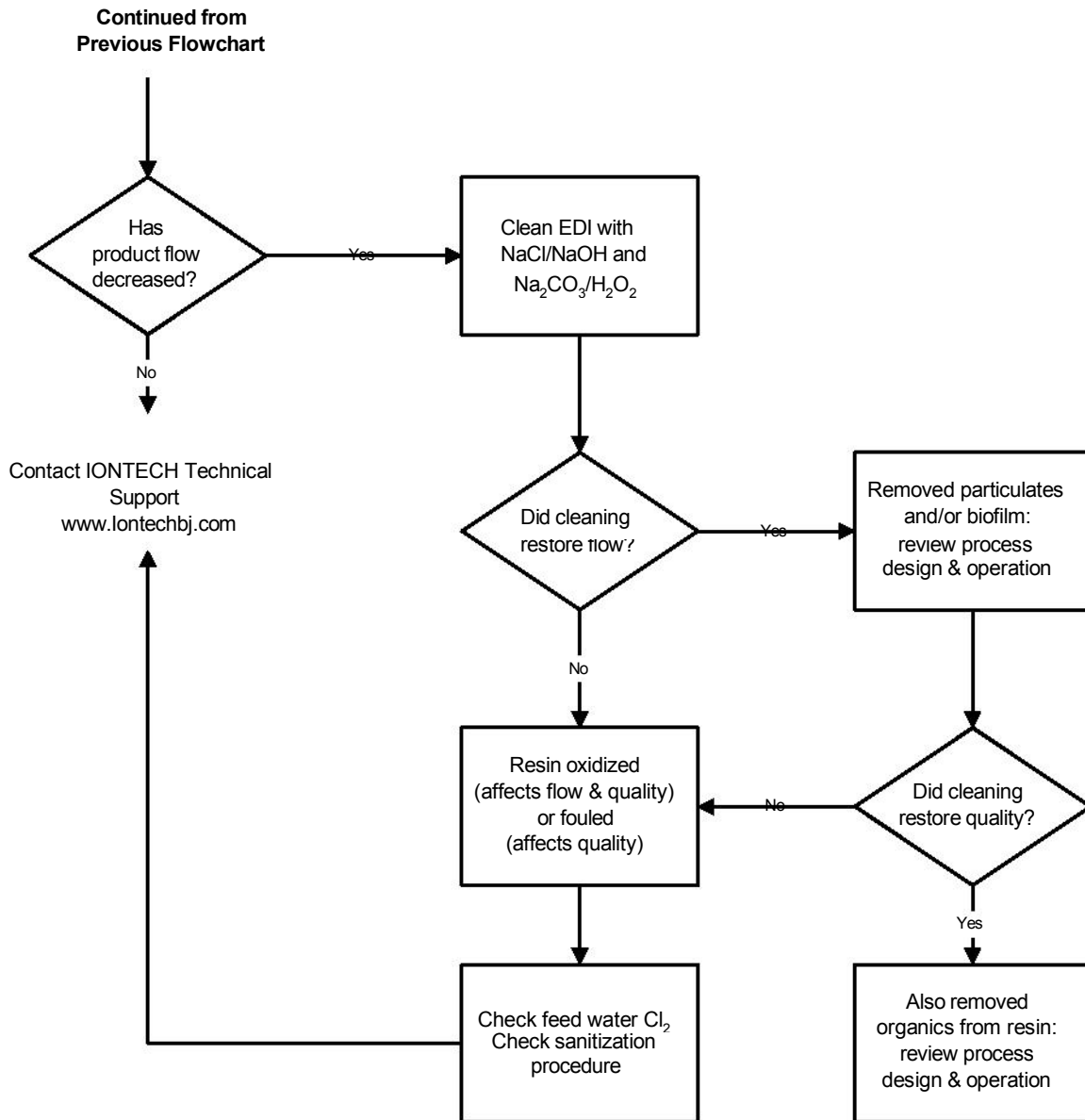


Troubleshooting Flow Chart - Low EDI Product Water Quality  
Page 2 of 3



Troubleshooting Flow Chart - Low EDI Product Water Quality

Page 3 of 3



## 5 Shutdown and Storage

This section contains shutdown procedures for a **IT - DS** module. Under certain circumstances, bacterial growth can occur quickly in water left stagnant within each module and the overall system.

### 5.1 System Shutdown

Shut off feed water to **IT - DS** module(s)

Drain standing water out of **IT - DS** module(s)

Close isolation valves to prevent evaporation of water in membranes and resins.

### 5.2 Startup after Shutdown

Divert product outlet to drain.

Turn on feed water to **IT - DS** module(s)

Operate unit with DC power on, flushing to drain.

If desired, sanitize **IT - DS** module(s).



## Appendix A: IT-DS Module Specifications

### A. 1 Dimensions and Weight

Dimensions, Weight	IT-DS05-S	IT-DS10-S	IT-DS20-S	IT-DS30-S	IT-DS50-S
Height:	605.5mm (23.8 in)	605.5mm (23.8 in)	605.5mm (23.8 in)	605.5mm (23.8 in)	605.5mm (23.8 in)
Width:	318.4mm (12.5 in)	318.4mm (12.5 in)	318.4mm (12.5 in)	318.4mm (12.5 in)	318.4mm (12.5 in)
Width:	179mm (7.05 in)	268 mm (10.56 in)	386mm (15.20 in)	563.mm (22.17 in)	778mm (30.63 in)
Weight (wet):	50Kg (111 lbs)	73Kg (161 lbs)	82Kg (181 lbs)	96Kg (231 lbs)	129Kg (284 lbs)

### A. 2 IT-DS module inlet and outlet connections

Module Connections	Connection on modules
Dilute Inlet	1 1/4" BSP Male 1
Product (Dilute) Outlet	1/4" BSP Male
Concentrate Inlet	3/4" BSP Male 3/4"
Reject (concentrate) Outlet	BSP Male

### A.3 IT-DS module flow rates

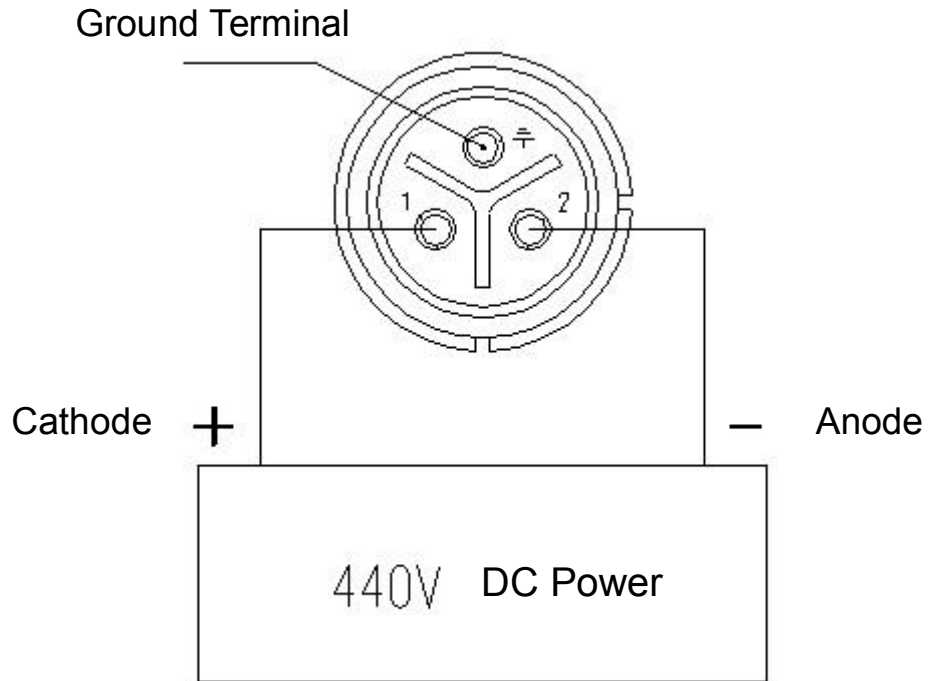
FLOW	IT-DS05-S	IT-DS10-S	IT-DS20-S	IT-DS30-S	IT-DS50-S
	m <sup>3</sup> /h (gpm)	m <sup>3</sup> /h (gpm)	m <sup>3</sup> /h (gpm)	m <sup>3</sup> /h (gpm)	m <sup>3</sup> /h (gpm)
Minimum:	0.22 (1)	0.6(2.5)	1.1(4.5)	1.7(7.5)	2.55(11.25)
Nominal:	0.44 (2)	1.1 (5)	2.0(9)	3.4(15)	5.1(22.5)
Maximum:	0.66 (3)	1.7(7.5)	3.1(13.5)	5.1(22.5)	7.65(33.75)
Recovery*:	85-95%				

Note: 95% recovery requires two pass RO or ion exchange softening.

### A. 4 Module pressure differential

Pressure Differential (At nominal flow rates)	IT-DS PSIG (bar)
Minimum	5-10 (0.3-0.7)
Design	20-30 (1.4-2.0)
Maximum	40-50 (2.7-3.4)

Appendix B: Junction Box Electrical Connections IT-DS



## Appendix C : Layout and Elevation Drawing IT-DS

MARKS:  
 .ALL DIMENSIONS ARE IN MILLIMETERS.  
 :DO NOT NEED TO OPEN JUNCTION BOX.  
 CONNECT PLUG TO POWER SUPPLY.

MODEL	L	M
IT-DS-055	179(mm)	147(mm)
IT-DS-105	268(mm)	236(mm)
IT-DS-205	386(mm)	354(mm)
IT-DS-305	563(mm)	531(mm)
IT-DS-505	778(mm)	746(mm)

